

# LED Vanity Light

**VL62248**  
INSTALLATION SHEET

## START FROM HERE

- Make sure **POWER** is **COMPLETELY OFF** at the fuse box
- Have your fixture installed by a qualified licensed electrician
- Prepare everything in a clear area
- Wear gloves at all time during this installation
- Read instructions carefully before you start assembly
- Keep this installation sheet for future reference

### Please Note:

- This Kuzco LED fixture comes with pre-wired LED module(s).
- Unless instructed to do so, please do not touch any part of the LED module(s) as any unnecessary contact with the module could cause permanent damage.
- For dimming, an ELV (Electronic Low Voltage) type of dimmer is required.
- 120V input

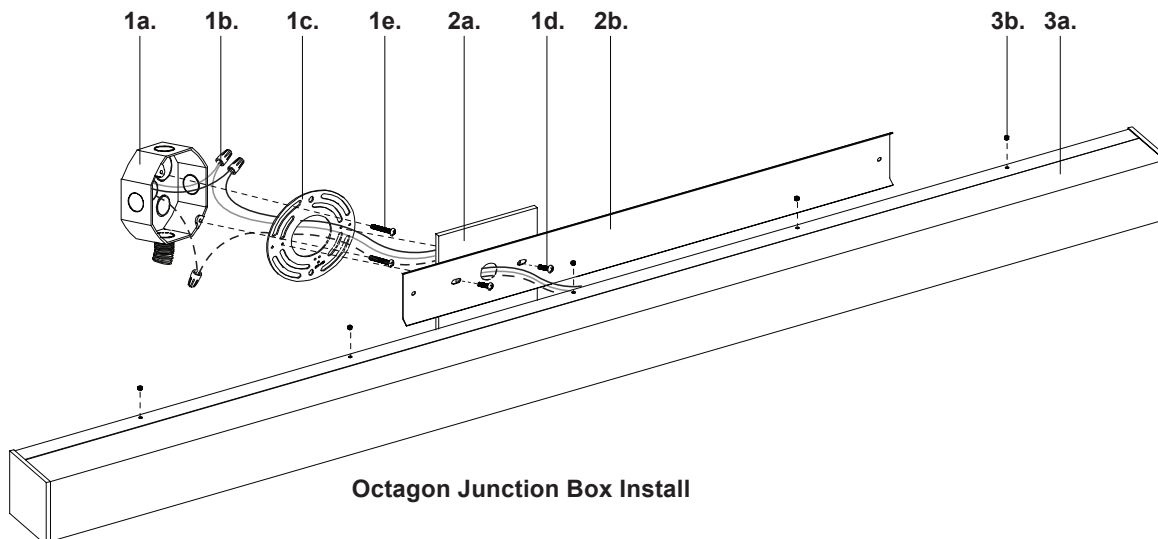
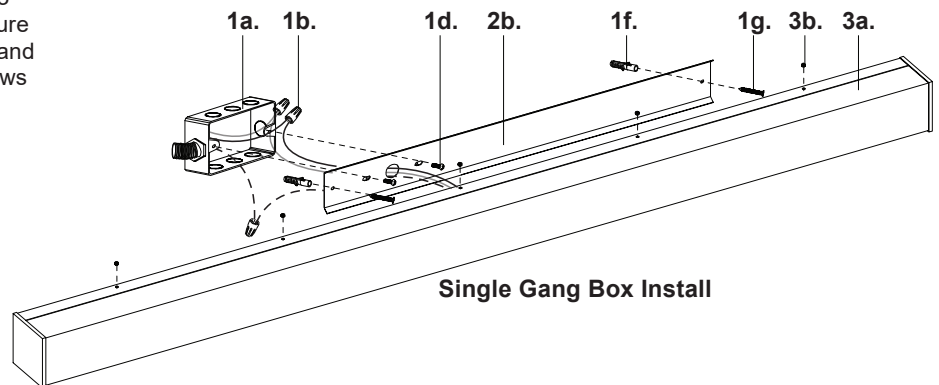
Technical Support: 1-855-855-8926

### (Octagon junction box install)

1. Remove fixture from its original package
2. Separate mounting plate (1c) from canopy (2a) and backplate (2b) by removing screws (1d)
3. Attach mounting plate (1c) to electrical junction box (1a) using junction box screws provided (1e) in hardware package
4. Make proper electrical connections (**black to hot "L"**, **white to neutral "N"**, **ground to "GND"**) with wire nuts (1b) provided in hardware package
5. Attach canopy (2a), followed by backplate (2b) to mounting plate (1c) with screws (1d). Attach fixture (3a) to backplate and canopy assembly (2a/2b) and adjust as necessary and secure with fixture screws (3b)

### (Single gang box install)

1. Remove the fixture from its original packaging. Remove the backplate (2b) from within the fixture (3a) by removing fixture screws (3b). Make proper electrical connections (**black to hot "L"**, **white to neutral "N"**, **ground to "GND"**) with wire nuts (1b) provided in hardware package. Attach the backplate (2b) to the single gang box (1a), using screws (1d) provided in the hardware package. Secure backplate (2b) to mounting surface with anchors (1f) and screws (1g)
2. Attach fixture (3a) to the backplate ((2b) and adjust as necessary and secure with fixture screws (3b)



**KUZCO**

19054 28th Avenue Surrey, BC Canada V3Z 6M3  
T: 604 538 7162 TF: 1-855 85 KUZCO F: 604 538 7196  
W: kuzcolighting.com  
20240109